



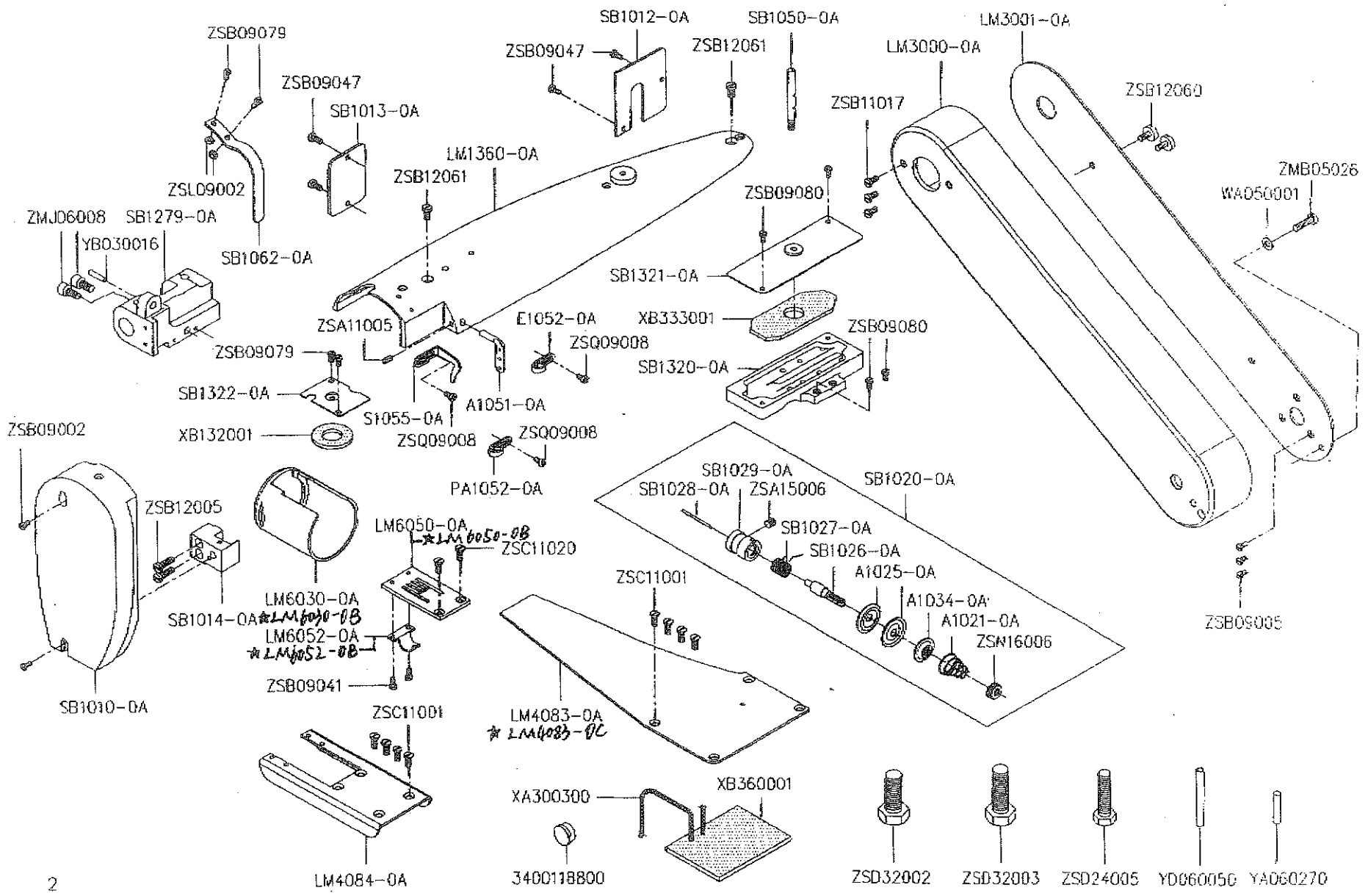
MODEL
347R-1A-1WS

PARTS BOOK

MODEL : 347R-1A-1WS

| 索 引 | INDEX | PAGE |
|------------------|---|-------|
| A、 本體關係(一) ----- | FRAME & MISCELLANEOUS COVER COMPONENTS ----- | 2-3 |
| B、 本體關係(二) ----- | FRAME & MISCELLANEOUS COVER COMPONENTS ----- | 4-5 |
| C、 上軸、下軸關係 ----- | MAIN SHAFT & UPRIGHT SHAFT COMPONENTS ----- | 6-7 |
| D、 針棒、天秤關係 ----- | NEEDLE BAR & TREAD TAKE-UP LEVER COMPONENTS --- | 8-9 |
| E、 送料關係(一) ----- | FEED MECHANISM COMPONENTS ----- | 10-11 |
| F、 送料關係(二) ----- | FEED MECHANISM COMPONENTS ----- | 12-13 |
| G、 押腳關係(一) ----- | PRESSER BAR & KNEE LIFTER COMPONENTS ----- | 14-15 |
| H、 押腳關係(一) ----- | PRESSER BAR & KNEE LIFTER COMPONENTS ----- | 16-17 |
| I、 專用件 ----- | EXCLUSIVE PARTS ----- | 18-19 |
| J、 附件 ----- | ACCESSORIES ----- | 20-21 |
| K、 零件號碼與頁數對照 -- | NUMERICAL PARTS-LIST ----- | 22-23 |

A.347R-1A-1WS 本體關係 FRAME & MISCELLANEOUS COVER COMPONENTS



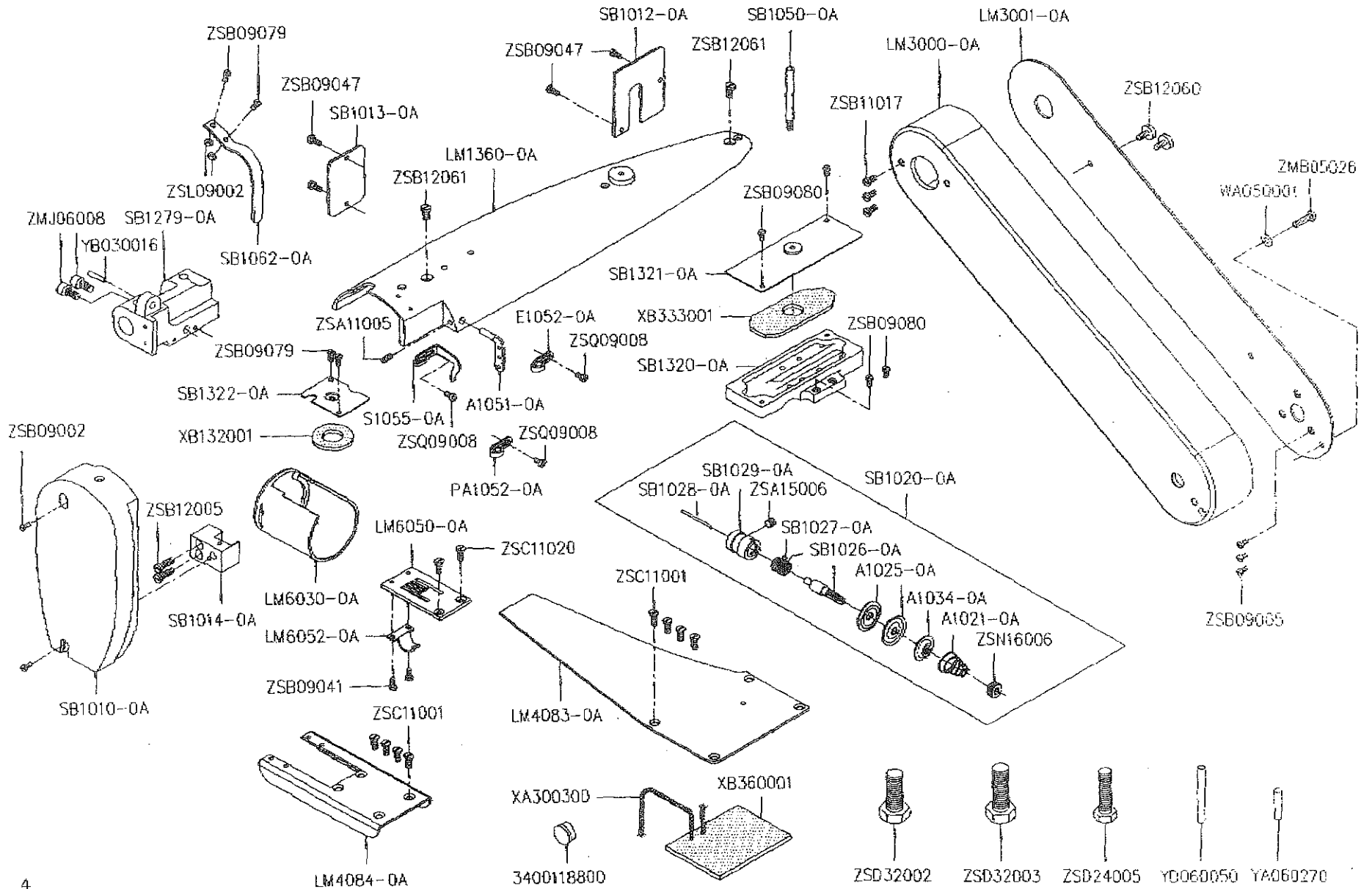
A-347R-1A-IWS 關係(一) FRAME & MISCELLANEOUS COVERS COMPONENTS

| 零件號碼 Part No | 零件名稱 | Name of Part | 件數 Q, TY | 零件號碼 Part. No | 零件名稱 | Name of Part | 件數 Q, TY | 備註 Remark |
|-----------------|-------|--------------------------------|-------------|------------------|--------|-------------------------------|-------------|--------------|
| 3400118800 | 橡膠栓 | RUBBER PLUG | 1 | SB1029-0A | 彈簧座 | TENSION POST ROCKET | 1 | |
| A1021-0A | 調整彈簧 | TENSION SPRING | 2 | SB1050-0A | 車頭線柱 | NEEDLE THREAD GUIDE | 1 | |
| A1025-0A | 壓線盤 | TENSION DISK | 1 | SB1062-0A | 天杆蓋 | BALANCE CRANK COVER | 1 | |
| A1034-0A | 線調整壓盤 | TENSION RELEASE WASHER | 1 | SB1279-0A | 上部舉升軸臂 | FEED ROCKER SHAFT BASE WASHER | 1 | |
| A1051-0A | 三孔線掛 | THREE HOLE THREAD EYELET PIN | 2 | SB1320-0A | 上油槽鈕 | OIL TANK | 1 | |
| E1052-0A | 線掛 | ARM THREAD GUIDE | 1 | SB1321-0A | 油棉蓋 | OIL FELT COVER | 1 | |
| LM1360-0A | 上蓋 | TOP COVER | 1 | SB1322-0A | 油槽蓋 | OIL TANK COVER | 1 | |
| LM3000-0A | 皮帶蓋 | PULLEY COVER | 1 | WA050001 | 墊圈 | WASHER | 2 | |
| LM3001-0A | 皮帶蓋 | PULLEY COVER | 1 | XA309300 | 油線 | WICK | 1 | |
| LM4083-0A | 底座蓋板 | BED COVER PLATE | 1 | XB132001 | 油棉 | OIL FELT | 1 | |
| LM4084-0A | 底座蓋板 | BED COVER PLATE | 1 | XB333001 | 油棉 | OIL FELT | 1 | |
| LM6030-0A | 釜蓋 | HOOK COVER | 1 | YB360001 | 油棉 | OIL FELT | 1 | |
| LM6050-0A | 針板 | NEEDLE PLATE | 1 | YA060270 | 平行銷 | PIN | 2 | |
| LM6052-0A | 釜擋 | BOBBIN CASE POSITIONING FINGER | 1 | YB030016 | 銷 | PIN | 1 | |
| PA1052-0A | 線掛 | ARM THREAD GUIDE | 1 | YD060050 | 平行銷 | PIN | 2 | |
| S1055-0A | 線掛 | ARM THREAD GUIDE | 1 | ZMB05026 | 螺絲 | SCREW (M5x0.8-59.5) | 1 | |
| SB1010-0A | 面板蓋 | FACE PLATE | 1 | ZMJ06008 | 螺絲 | SCREW (M6x0.8-12) | 2 | |
| SB1012-0A | 側板(B) | ARM SIDE COVER | 1 | ZSA11005 | 螺絲 | SCREW (SM11/64-40x5.5) | 1 | |
| SB1013-0A | 側板(A) | ARM SIDE COVER | 1 | ZSA15006 | 螺絲 | SCREW (SM15/64-28x12) | 1 | |
| SB1014-0A | 擋塊 | BLOCK | 1 | ZSB09002 | 螺絲 | SCREW (SM9/64-40x10) | 2 | |
| SB1020-0A | 壓線調整組 | THREAD TENSION SET | 1 | ZSB09005 | 螺絲 | SCREW (SM9/64-40x5) | 1 | |
| SB1026-0A | 調整螺絲棒 | TENSION POST | 1 | ZSB09041 | 螺絲 | SCREW (SM9/64-40x4.5) | 2 | |
| SB1027-0A | 吊線彈簧 | TAKE UPSRING | 1 | ZSB09047 | 螺絲 | SCREW (SM9/64-40x7) | 4 | |
| SB1028-0A | 鬆線銷 | TENSION RELEASE PIN | 1 | ZSB09047 | 螺絲 | SCREW (SM9/64-40x7) | 4 | |

| | | | |
|------------|------|--------------------------------|---|
| *LM4083-0C | 底座蓋板 | BED COVER PLATE | 1 |
| *LM6030-0B | 釜蓋 | HOOK COVER | 1 |
| *LM6050-0B | 針板 | NEEDLE PLATE | 1 |
| *LM6052-0B | 釜擋 | BOBBIN CASE POSITIONING FINGER | 1 |

車淺水衣專用零件

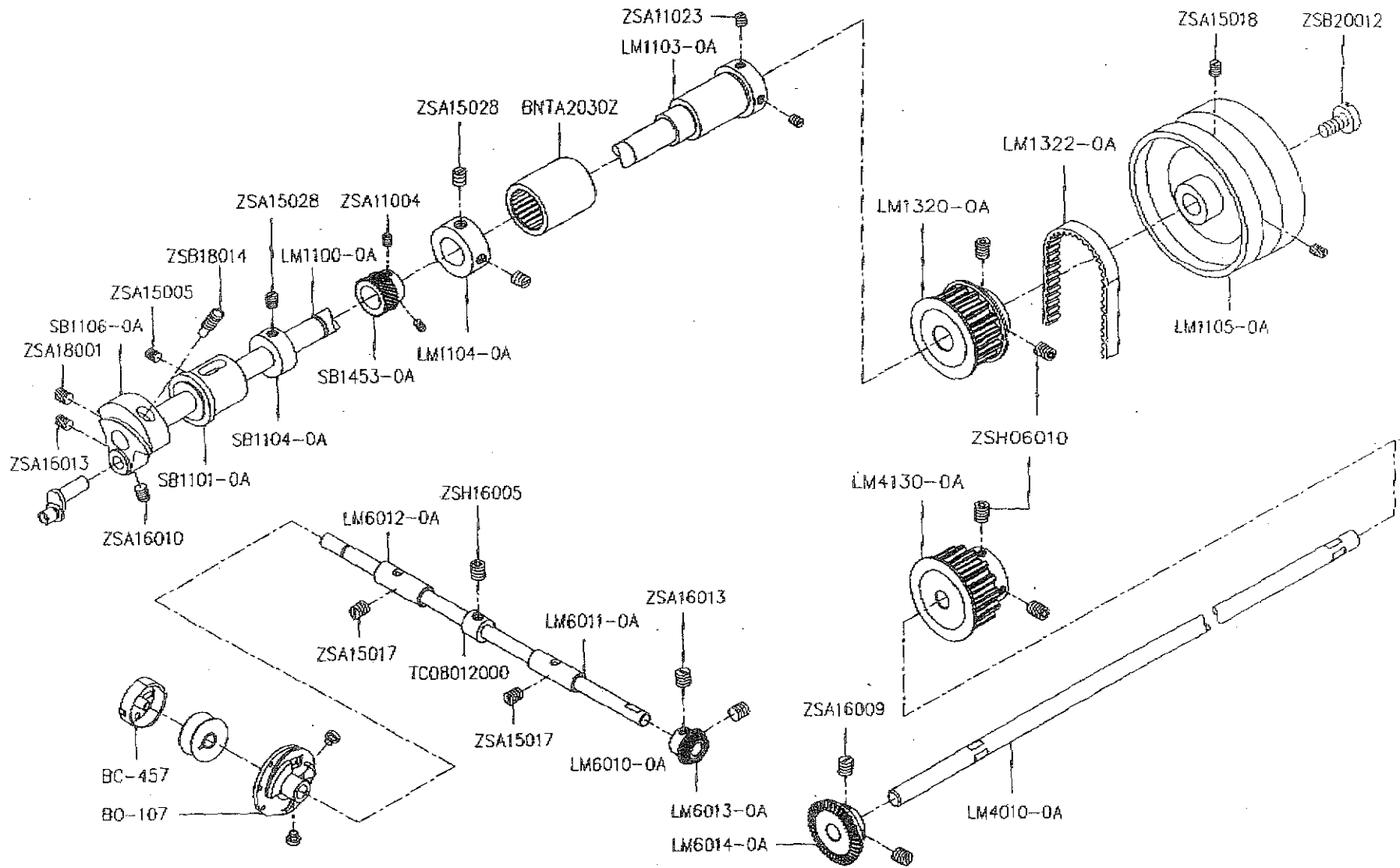
A.347R-1A-iws 體關係 FRAME & MISCELLANEOUS COVER COMPONENTS



B-347R-1A-1WS 豐關係 (二) MAIN SHAFT COMPONENTS

| 零件號碼 Part No | 零件名稱 | Name of Part | 件數 Q, TY | 零件號碼 Part No | 零件名稱 | Name of Part | 件數 Q, TY | 備註 Remark |
|-----------------|------|------------------------|-------------|-----------------|------|-------------------------|-------------|--------------|
| ZSB09079 | 螺絲 | SCREW (SM9/64-40x7) | 1 | ZSC11001 | 螺絲 | SCREW (SM11/64-40x6.5) | 2 | |
| ZSB09079 | 螺絲 | SCREW (SM9/64-40x7) | 1 | ZSC11020 | 螺絲 | SCREW (SM11/64-40x11.3) | 2 | |
| ZSB09080 | 螺絲 | SCREW (SM9/64-40x12) | 1 | ZSD24005 | 螺絲 | SCREW (SM3/8-16x39) | 1 | |
| ZSB09080 | 螺絲 | SCREW (SM9/64-40x12) | 1 | ZSD32002 | 螺絲 | SCREW (SM1/2-12x33) | 1 | |
| ZSB11017 | 螺絲 | SCREW (SM11/64-40x12) | 4 | ZSD32003 | 螺絲 | SCREW (SM1/2-12x39) | 1 | |
| ZSB12005 | 螺絲 | SCREW (SM3/16-28x15) | 2 | ZSL09002 | 螺帽 | NUT (SM9/64-40) | 1 | |
| ZSB12060 | 螺絲 | SCREW (SM3/16-32x12) | 1 | ZSN16006 | 螺帽 | NUT (SM1/4-40) | 3 | |
| ZSB12061 | 螺絲 | SCREW (SM9/64-40x7) | 3 | ZSQ09008 | 螺絲 | SCREW (SM9/64-40x6) | 2 | |
| ZSB12061 | 螺絲 | SCREW (SM9/64-40x7) | 3 | ZSQ09008 | 螺絲 | SCREW (SM9/64-40x6) | 2 | |
| ZSC11001 | 螺絲 | SCREW (SM11/64-40x6.5) | 2 | ZSQ09008 | 螺絲 | SCREW (SM9/64-40x6) | 2 | |

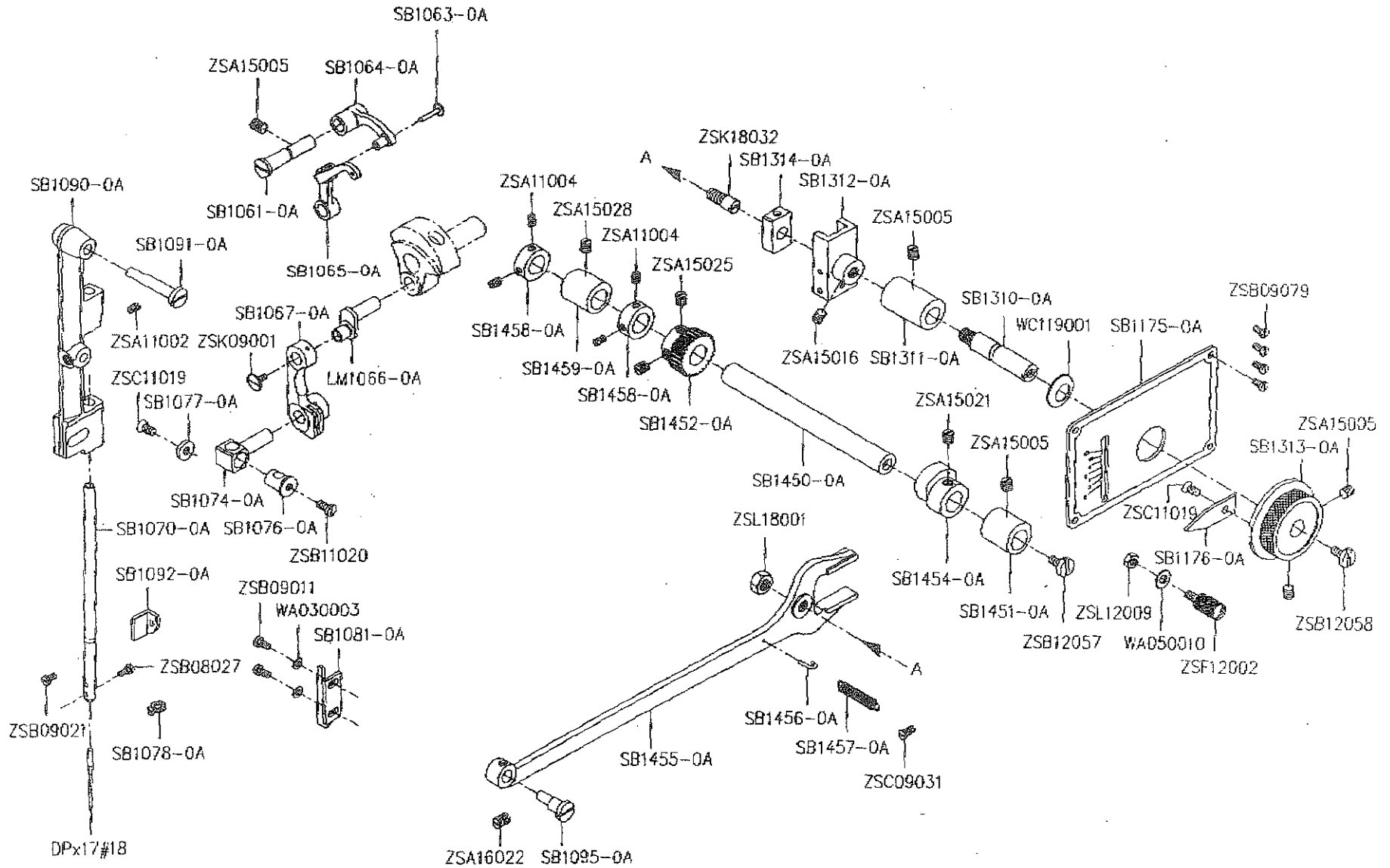
C. 347R-1A-1WS 軸、下軸關係 MAIN SHAFT & UPRIGHT SHAFT COMPONENTS



C 347R-1A-IWS 軸、下軸關係 MAIN SHAFT & UPRIGHT SHAFT COMPONENTS

| 零件號碼 Part No | 零件名稱 Name of Part | 件數 Q, TY | 零件號碼 Part No | 零件名稱 Name of Part | 件數 Q, TY | 備註 Remark |
|-----------------|----------------------|-------------|-----------------|----------------------|-------------|--------------|
| BC-457 | 梭殼 | 1 | SBI453-0A | 針振齒輪(小) | 1 | |
| BNTA2030Z | 培林 | 1 | TC08012000 | 定環 | 1 | |
| BO-107 | 大釜 | 1 | ZSA11004 | 螺絲 | 2 | |
| LM1100-0A | 上軸 | 1 | ZSA11023 | 螺絲 | 1 | |
| LM1103-0A | 軸套 | 1 | ZSA15005 | 螺絲 | 4 | |
| LM1104-0A | 定環 | 1 | ZSA15017 | 螺絲 | 3 | |
| LM1105-0A | 皮帶輪 | 1 | ZSA15017 | 螺絲 | 3 | |
| LM1320-0A | 齒輪 | 1 | ZSA15018 | 螺絲 | 2 | |
| LM1322-0A | PU鋼絲齒形 | 1 | ZSA15028 | 螺絲 | 2 | |
| LM4010-0A | 下軸 | 1 | ZSA15028 | 螺絲 | 2 | |
| LM4130-0A | 齒輪 | 1 | ZSA16009 | 螺絲 | 6 | |
| LM6010-0A | 釜軸 | 1 | ZSA16010 | 螺絲 | 6 | |
| LM6011-0A | 套管 | 1 | ZSA16013 | 螺絲 | 2 | |
| LM6012-0A | 套管 | 1 | ZSA16013 | 螺絲 | 2 | |
| LM6013-0A | 下軸傘齒輪 | 1 | ZSA18001 | 螺絲 | 4 | |
| LM6014-0A | 下軸傘齒輪 | 1 | ZSB18014 | 螺絲 | 1 | |
| SBI101-0A | 大心套管 | 1 | ZSB20012 | 螺絲 | 1 | |
| SBI104-0A | 定環 | 1 | ZSH06010 | 螺絲 | 1 | |
| SBI106-0A | 凸輪 | 1 | ZSH16005 | 螺絲 | 6 | |

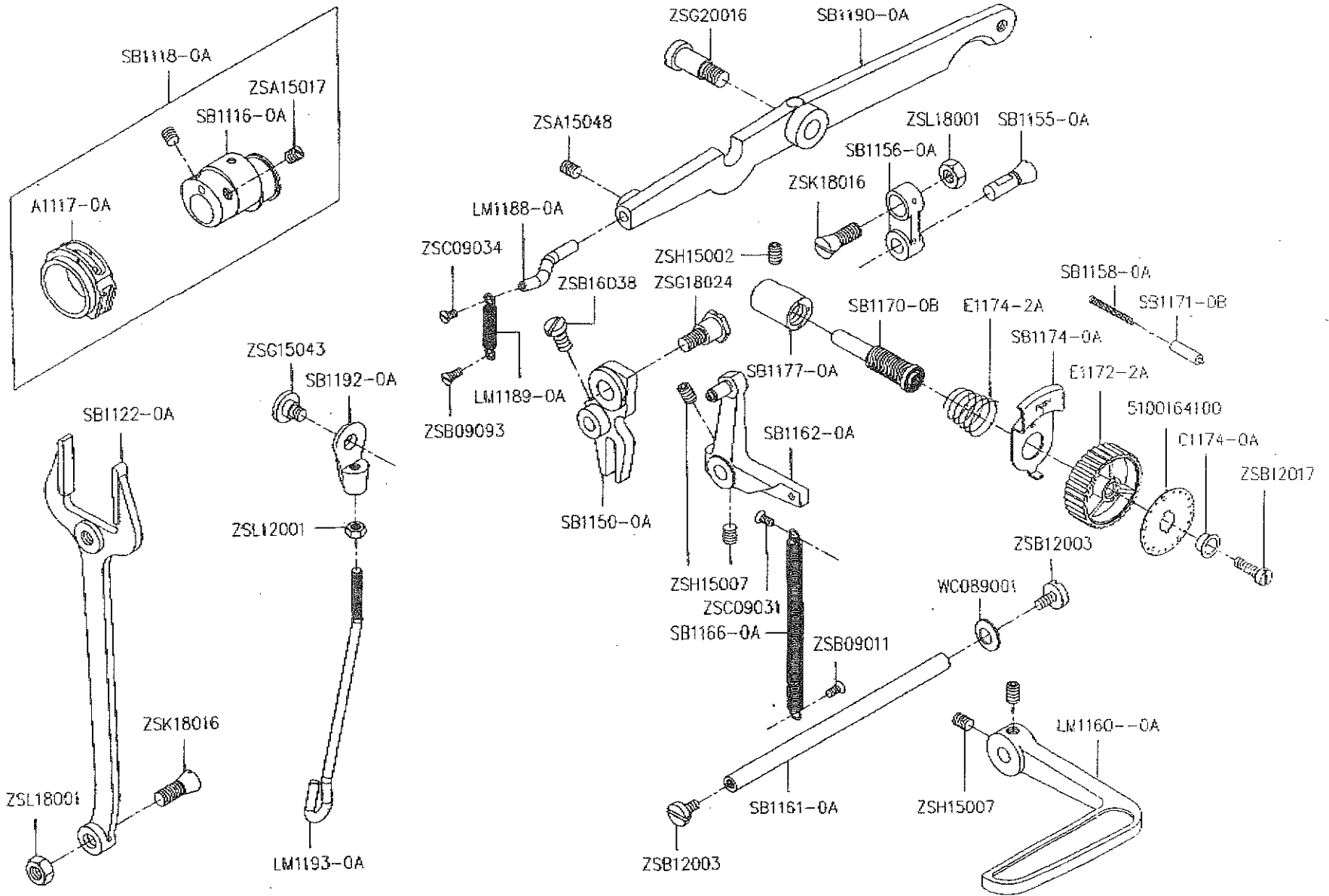
D. 347R-1A-1WS 針棒、天秤關係 NEEDLE BAR & TREAD TAKE-UP LEVER COMPONENTS



D 347R-1A-1WS 棒、天秤關係 NEEDLE BAR & TREAD TAKE-UP LEVER COMPONENTS

| 零件號碼 Part No | 零件名稱 | Name of Part | 件數 Q, TY | 零件號碼 Part No | 零件名稱 | Name of Part | 件數 Q, TY | 備註 Remark |
|-----------------|---------|-----------------------------------|-------------|-----------------|-------|------------------------|-------------|--------------|
| DPx17#18 | 針 | NEEDLE | 1 | SB1458-0A | 定環 | ZIGZAG COLLAR | 2 | |
| LM1066-0A | 針棒連結軸 | NEEDLE BAR CRANK | 1 | SB1458-0A | 定環 | ZIGZAG COLLAR | 2 | |
| SB1061-0A | 天秤固定銷 | TAKE-UP LEVER LINK | 1 | SB1459-0A | 凸輪軸套管 | ZIGZAG BUSHING REAR | 1 | |
| SB1063-0A | 天秤鉚釘 | BALANCE CRANK PIN | 1 | WA030003 | 墊圈 | WASHER | 2 | |
| SB1064-0A | 天秤架 | BALANCE CRANK BRACKET | 1 | WA050010 | 平盤圈 | WASHER | 2 | |
| SB1065-0A | 天秤 | BALANCE SAM | 1 | WC119001 | 盤形墊圈 | SPRING WASHER | 1 | |
| SB1067-0A | 針棒連結桿 | NEEDLE BAR CRANK ROD | 1 | ZSA11002 | 螺絲 | SCREW (SM11/64-40x6.5) | 1 | |
| SB1070-0A | 針棒 | NEEDLE BAR | 1 | ZSA11004 | 螺絲 | SCREW (SM11/64-40x3.5) | 3 | |
| SB1074-0A | 針棒針 | NEEDLE BUSHING | 1 | ZSA11004 | 螺絲 | SCREW (SM11/64-40x3.5) | 3 | |
| SB1076-0A | 針棒針固定 | NEEDLE BAR BRACKET | 1 | ZSA15005 | 螺絲 | SCREW (SM15/64-28x13) | 2 | |
| SB1077-0A | 墊圈 | NEEDLE WASHER | 1 | ZSA15005 | 螺絲 | SCREW (SM15/64-28x13) | 2 | |
| SB1078-0A | 線掛 | THREAD GUIDE | 1 | ZSA15005 | 螺絲 | SCREW (SM15/64-28x13) | 2 | |
| SB1081-0A | 固定板 | NEEDLE BAR CONNECTING LINK GUIDE | 1 | ZSA15005 | 螺絲 | SCREW (SM15/64-28x13) | 2 | |
| SB1090-0A | 針柱座 | NEEDLE BAR FRAME | 1 | ZSA15016 | 螺絲 | SCREW (SM15/64-28x7) | 3 | |
| SB1091-0A | 針柱座固定 | NEEDLE HINGE PIN | 1 | ZSA15021 | 螺絲 | SCREW (SM15/64-28x4.5) | 2 | |
| SB1092-0A | 針柱座定位板 | NEEDLE BAR FRAME POSITION PLATE | 1 | ZSA15025 | 螺絲 | SCREW (SM15/64-28x6) | 1 | |
| SB1095-0A | 針落調整螺 | ECCENTRIC STUD | 1 | ZSA15028 | 螺絲 | SCREW (SM15/64-28x7) | 2 | |
| SB1175-0A | 針振目盛板 | ZIGZAG INDICATOR PLATE | 1 | ZSA16022 | 螺絲 | SCREW (SM1/4-40x7) | 2 | |
| SB1176-0A | 針振指針 | NEEDLE VIBRATOR STOP INDEX FINGER | 1 | ZSB09011 | 螺絲 | SCREW (SM9/64-40x6.5) | 8 | |
| SB1310-0A | 針振調整軸 | ZIGZAG REGULATOR CRANK | 1 | ZSB09021 | 螺絲 | SCREW (SM9/64-40x7.7) | 1 | |
| SB1311-0A | 套管 | ZIGZAG REGULATOR BUSHING | 1 | ZSB09079 | 螺絲 | SCREW (SM9/64-40x7) | 1 | |
| SB1312-0A | 針振調節器 | ZIGZAG REGULATOR | 1 | ZSB11020 | 螺絲 | SCREW (SM11/64-40x6.5) | 1 | |
| SB1313-0A | 旋鈕 | DIAL | 1 | ZSB12057 | 螺絲 | SCREW (SM3/16-28x9.5) | 1 | |
| SB1314-0A | 滑塊 | ZIGZAG SLIDE BLOCK | 1 | ZSB12058 | 螺絲 | SCREW (SM3/16-32x6.5) | 1 | |
| SB1450-0A | 針振驅動組 | ZIGZAG DRIVE CAM | 1 | ZSC09031 | 螺絲 | SCREW (SM9/64-40x11) | 1 | |
| SB1451-0A | 凸輪軸套管 | CAM SHAFT BUSHING (FRONT) | 1 | ZSC11019 | 螺絲 | SCREW (SM11/64-40x5.5) | 4 | |
| SB1452-0A | 針振齒輪(大) | ZIGZAG BEVEL GEAR | 1 | ZSC11019 | 螺絲 | SCREW (SM11/64-40x5.5) | 4 | |
| SB1454-0A | 凸輪 | NEEDLE VIBRATING CAM | 1 | ZSF12002 | 螺絲 | SCREW (SM3/16-32x10) | 1 | |
| SB1455-0A | 針振三叉 | ZIGZAG DRIVE FORK | 1 | ZSK09001 | 螺絲 | SCREW (SM9/64-40x8.5) | 1 | |
| SB1456-0A | 彈簧掛勾 | ZIGZAG SPRING HOOK | 1 | ZSK18032 | 螺絲 | SCREW (SM9/32-28x12) | 1 | |
| SB1457-0A | 拉伸彈簧 | ZIGZAG SPRING (SMALL) | 1 | ZSL12009 | 螺帽 | NUT (SM3/16-32) | 1 | |
| | | | | ZSL18001 | 螺帽 | NUT (SM9/32-28) | 1 | |

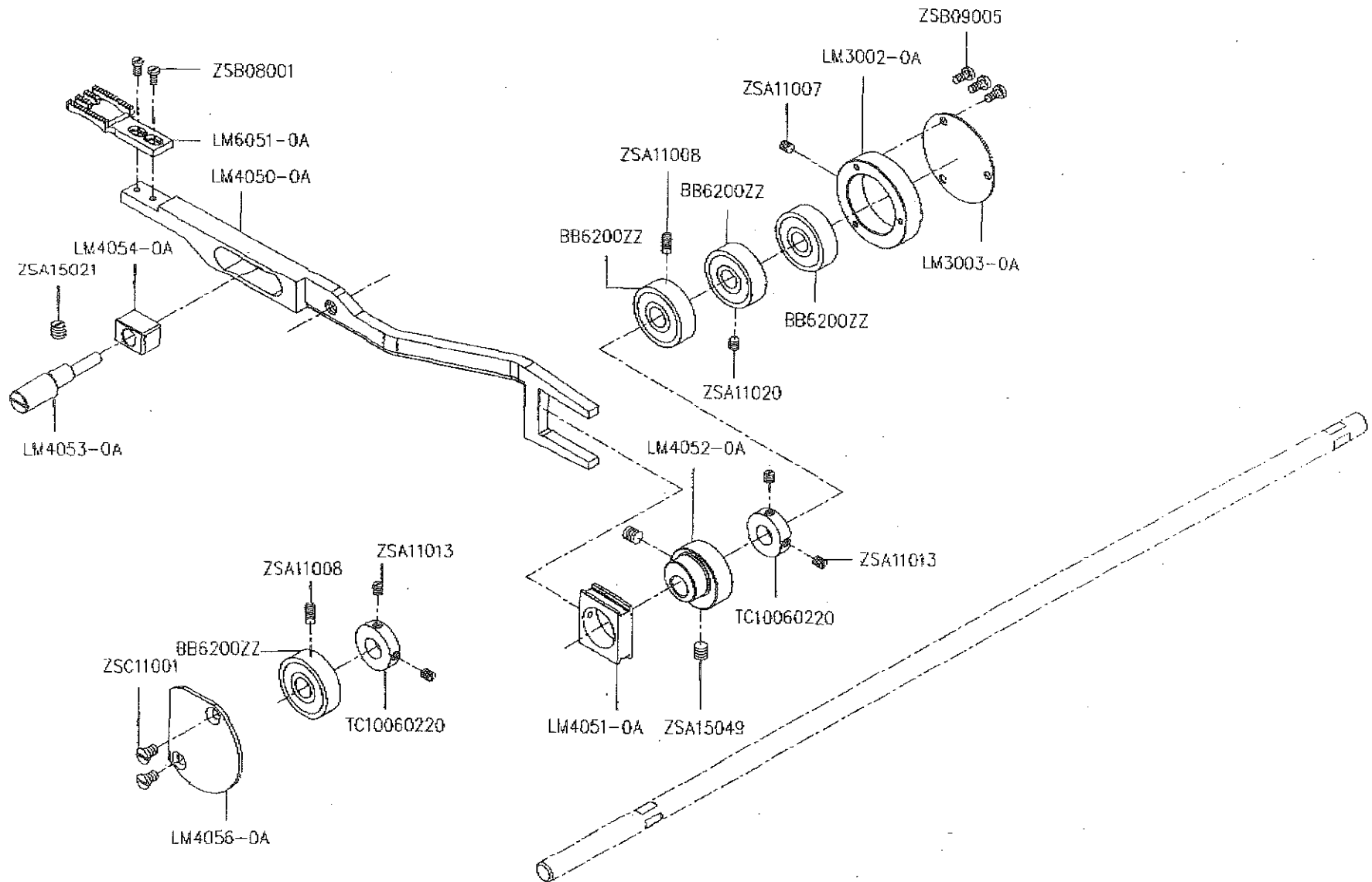
E. 347R-1A-1WS 送料關係(一) FEED MECHANISM COMPONENTS



E 347R-1A-1WS料關係(一) FEED MECHANISM COMPONENTS

| 零件號碼 Part No | 零件名稱 | Name of Part | 件數 Q, TY | 零件號碼 Part No | 零件名稱 | Name of Part | 件數 Q, TY | 備註 Remark |
|-----------------|--------|---|-------------|-----------------|-------|---------------------------|-------------|--------------|
| 5100164100 | 目盛板 | INDICATOR PLATE | 1 | SB1192-0A | 押棒提升桿 | KNEE LIFTER LIFTING LEVER | 1 | |
| A1117-0A | 偏心輪板 | FEED CAM | 1 | WC089001 | 墊圈 | SPRING WASHER | 1 | |
| C1174-0A | 墊片 | WASHER | 1 | ZSA15017 | 螺絲 | SCREW (SM15/64-28x8.5) | 1 | |
| E1172-2A | 刻度盤 | FEED REGULATING STUD HEAD | 1 | ZSA15048 | 螺絲 | SCREW (SM15/64-28x5) | 1 | |
| E1174-2A | 壓縮彈簧 | SPRING | 1 | ZSB09011 | 螺絲 | SCREW (SM9/64-40x8.5) | 16 | |
| LM1160-0A | 倒縫槓桿 | REVERSE FEED CONTROL LEVER | 1 | ZSB09093 | 螺絲 | SCREW (SM9/64-40x10.5) | 1 | |
| LM1188-0A | 連接板銷 | KNEE LIFTER LIFTING LEVER PIN | 1 | ZSB12003 | 螺絲 | SCREW (SM3/16-32x6.5) | 2 | |
| LM1189-0A | 拉伸彈簧 | FEED REVERSE SPRING | 1 | ZSB12003 | 螺絲 | SCREW (SM3/16-32x6.5) | 2 | |
| LM1193-0A | 連接棒 | KNEE LIFTER ROD | 1 | ZSB12017 | 螺絲 | SCREW (SM3/16-28x15) | 1 | |
| SB1116-0A | 偏心輪 | FEED CAM | 1 | ZSB16038 | 螺絲 | SCREW (SM1/4-40x10) | 1 | |
| SB1118-0A | 偏心輪組 | FEED CAM | 1 | ZSC09031 | 螺絲 | SCREW (SM9/64-40x11) | 1 | |
| SB1122-0A | 連結叉桿 | FEED FORKED CONNECTION | 1 | ZSC09034 | 螺絲 | SCREW (SM9/64-40x11) | 1 | |
| SB1150-0A | 送料調節器 | FEED REGULATOR (FORKED) | 1 | ZSG15043 | 螺絲 | SCREW (SM15/64-28x12.5) | 1 | |
| SB1155-0A | 連結軸 | FEED CONNECTION LINK HINGE STUD | 1 | ZSG18024 | 螺絲 | SCREW (SM9/32-28x11.5) | 1 | |
| SB1156-0A | 二又連桿 | FEED CONNECTION LINK | 1 | ZSG20016 | 螺絲 | SCREW (SM5/16-24x11) | 1 | |
| SB1158-0A | 壓縮彈簧 | SPRING | 1 | ZSH15002 | 螺絲 | SCREW (SM15/64-28x4) | 1 | |
| SB1161-0A | 連結軸 | REVERSE FEED CONTROL LEVER SHAFT | 1 | ZSH15007 | 螺絲 | SCREW (SM15/64-28x8) | 1 | |
| SB1162-0A | 倒縫曲柄組 | REVERSE FEED CONTROL LEVER CRANK | 1 | ZSH15007 | 螺絲 | SCREW (SM15/64-28x8) | 1 | |
| SB1166-0A | 拉伸彈簧 | FEED REVERSE SPRING | 1 | ZSK18016 | 螺絲 | SCREW (SM9/32-28x13) | 1 | |
| SB1170-0B | 調節螺絲 | FEED REGULATING STUD | 1 | ZSK18016 | 螺絲 | SCREW (SM9/32-28x13) | 1 | |
| SB1171-0B | 定位銷 | FEED REGULATING STUD LOCK PIN | 1 | ZSL12001 | 螺帽 | NUT (SM3/16-32) | 1 | |
| SB1174-0A | 操作板 | STOPPER PIN RELEASING LEVER | 1 | ZSL18001 | 螺帽 | NUT (SM9/32-28) | 1 | |
| SB1177-0A | 調節螺絲套管 | FEED REGULATING STUD BUSHING | 1 | ZSL18001 | 螺帽 | NUT (SM9/32-28) | 1 | |
| SB1192-0A | 提聲升桿接頭 | KNEE LIFTER LIFTING LEVER CONNECTING ROD | 1 | | | | | |

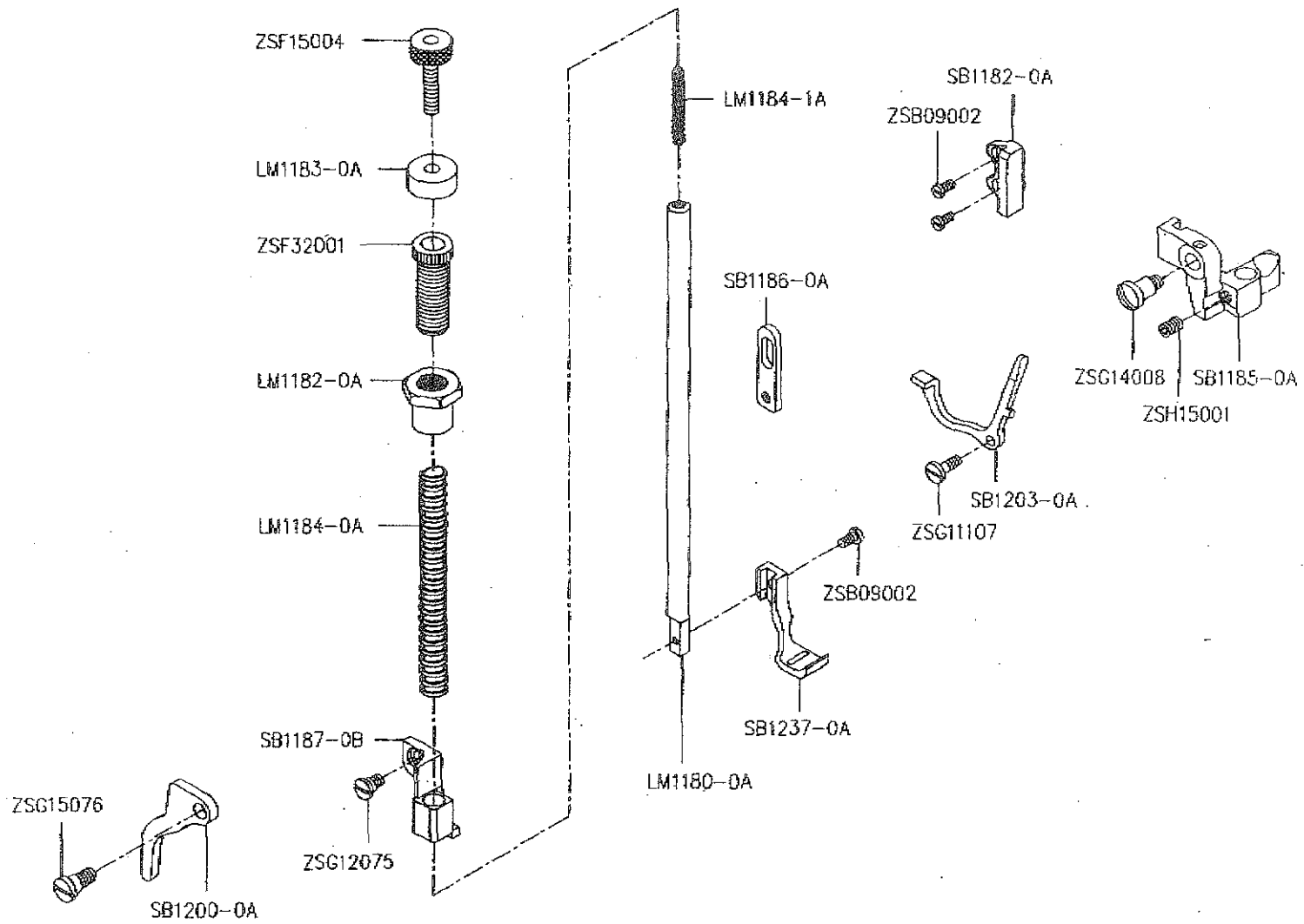
F. 347R-1A-1WS 料關係(二) FEED MECHANISM COMPONENTS



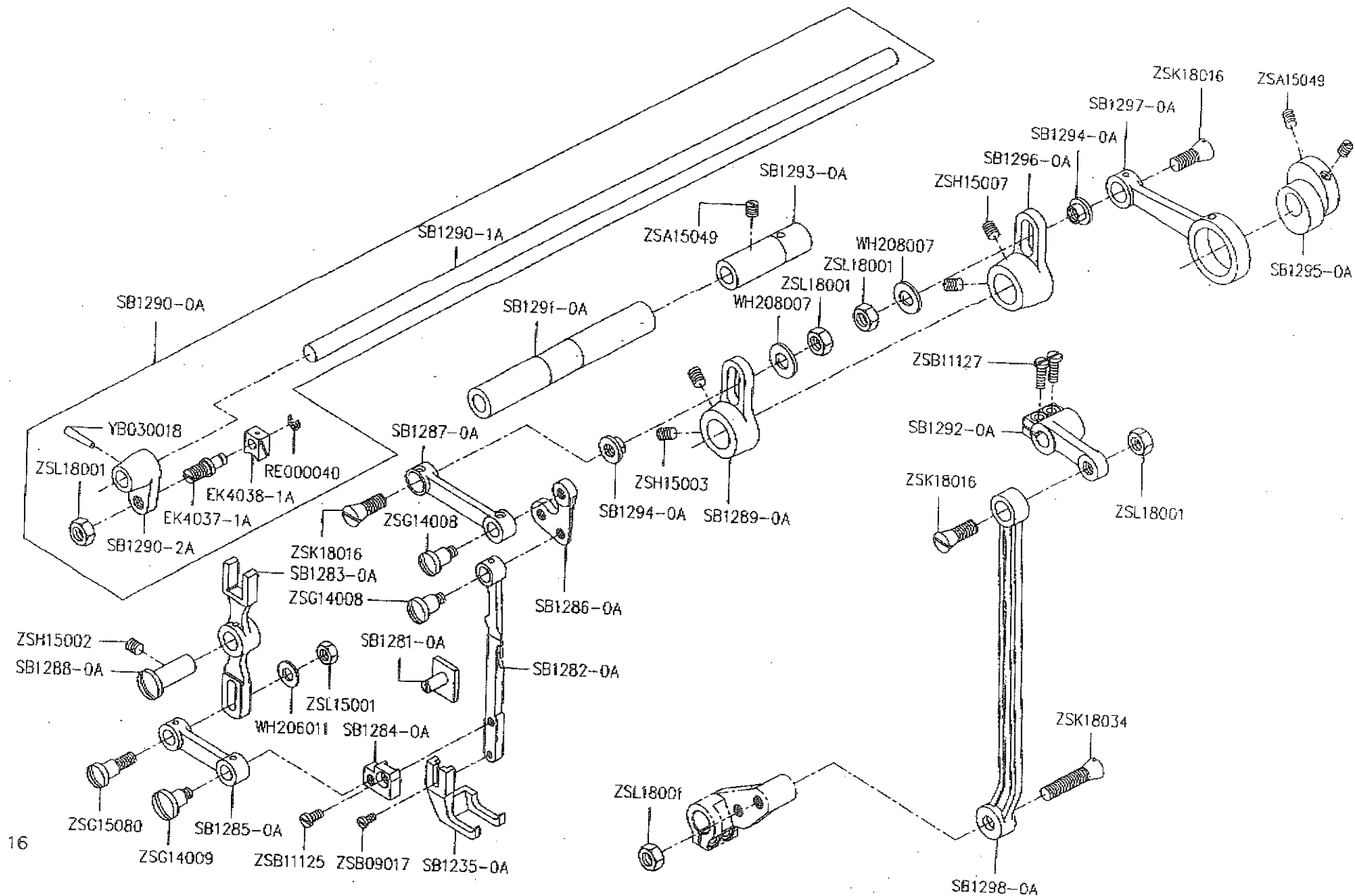
F 347R-1A-1WS 料關係(二) FEED MECHANISM COMPONENTS

| 零件號碼 Part No | 零件名稱 | Name of Part | 件數 Q, TY | 零件號碼 Part No | 零件名稱 | Name of Part | 件數 Q, TY | 備註 Remark |
|-----------------|--------|---------------------------------|-------------|-----------------|------|------------------------|-------------|--------------|
| BB6200ZZ | 軸承 | BEARING | 1 | TC10060220 | 定環 | ZIGZAG COLLAR | 1 | |
| BB6200ZZ | 軸承 | BEARING | 1 | TC10060220 | 定環 | ZIGZAG COLLAR | 1 | |
| BB6200ZZ | 軸承 | BEARING | 1 | ZSA11007 | 螺絲 | SCREW (SM11/64-40x8) | 2 | |
| BB6200ZZ | 軸承 | BEARING | 1 | ZSA11008 | 螺絲 | SCREW (SM11/64-40x5.5) | 2 | |
| LM3002-0A | 軸承固定座 | LOWER SHAFT BEARING COVER | 1 | ZSA11008 | 螺絲 | SCREW (SM11/64-40x5.5) | 2 | |
| LM3003-0A | 軸承固定座蓋 | LOWER SHAFT BEARING COVER PLATE | 1 | ZSA11013 | 螺絲 | SCREW (SM11/64-40x6) | 2 | |
| LM4050-0A | 送料台 | FEED CRANK ROD | 1 | ZSA11013 | 螺絲 | SCREW (SM11/64-40x6) | 2 | |
| LM4051-0A | 偏心軸套 | FEED REGULATOR SLIDE BLOCK | 1 | ZSA11020 | 螺絲 | SCREW (SM11/64-40x11) | 1 | |
| LM4052-0A | 偏心輪 | FEED CAM | 1 | ZSA15021 | 螺絲 | SCREW (SM15/64-28x4.5) | 2 | |
| LM4053-0A | 調整軸 | FEED REGULATOR PIN | 1 | ZSA15049 | 螺絲 | SCREW (SM15/64-28x12) | 2 | |
| LM4054-0A | 滑塊 | ZIGZAG SLIDE BLOCK | 1 | ZSB08001 | 螺絲 | SCREW (SM1/8-44x6) | 2 | |
| LM4056-0A | 培林蓋 | LOWER SHAFT BEARING COVER | 1 | ZSB09005 | 螺絲 | SCREW (SM9/64-40x5) | 1 | |
| LM6051-0A | 送料齒 | FEED DOG | 1 | ZSC11001 | 螺絲 | SCREW (SM11/64-40x9) | 2 | |

G.347R-1A-1WS 脚踏關係(一) PRESSER BAR & KNEE LIFTER COMPONENTS



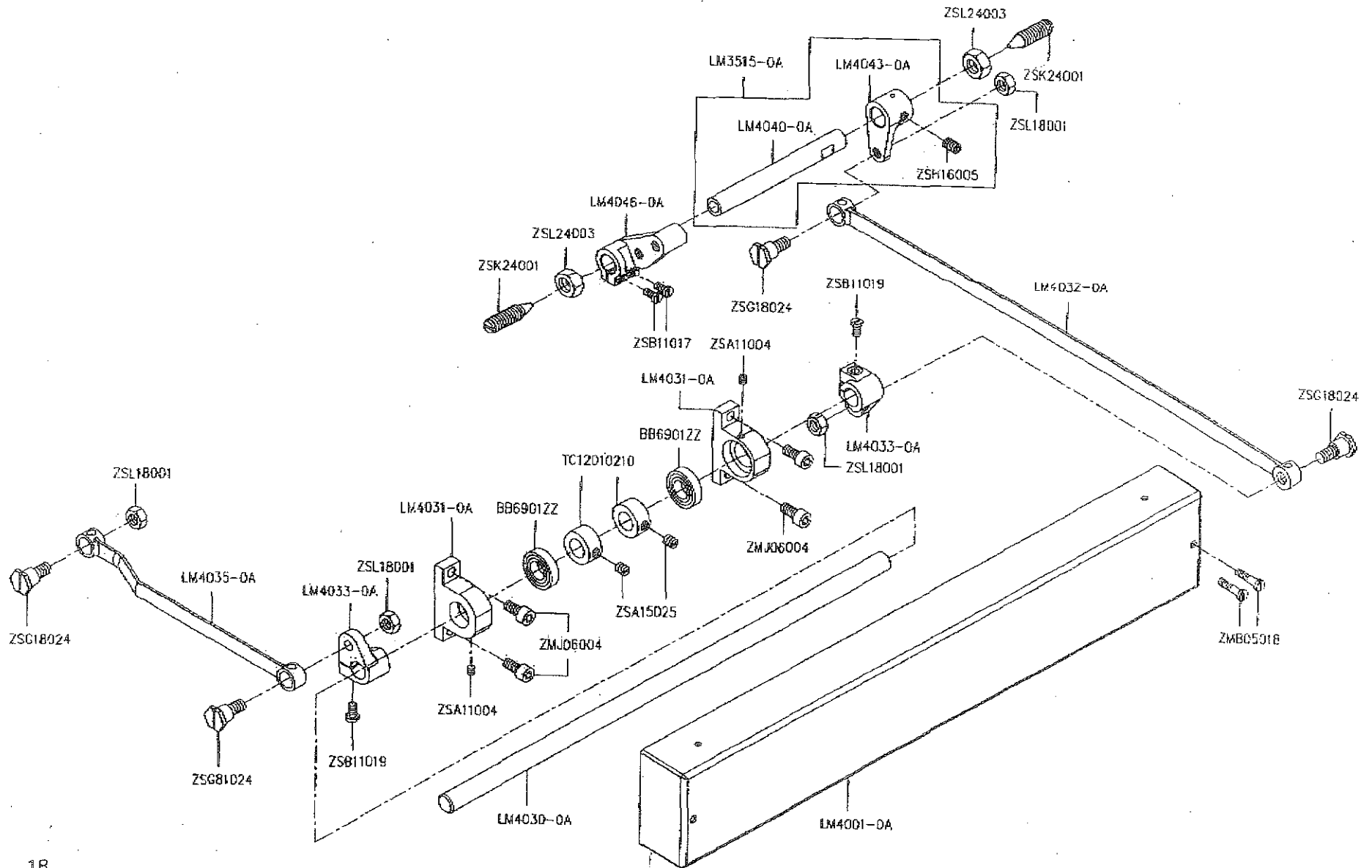
H. 347R-1A-1WS 脚關係(二) PRESSER BAR & KNEE LIFTER COMPONENTS



H、347R-1A-1WS脚關係(二) PRESSER BAR & KNEE LIFTER COMPONENTS

| 零件號碼 Part No | 零件名稱 Name of Part | 件數 Q, TY | 零件號碼 Part No | 零件名稱 Name of Part | 件數 Q, TY | 備註 Remark |
|-----------------|----------------------|-------------|-----------------|----------------------|-------------|--------------|
| EK4037-1A | 角驅軸 | 1 | WH208007 | 墊圈 | 2 | |
| EK4038-1A | 送料角驅 | 1 | WH208007 | 墊圈 | 2 | |
| RE000040 | E扣環 | 1 | YB030018 | 銷 | 1 | |
| SB1122-0A | 連結叉桿 | 1 | ZSA15049 | 螺絲 | 2 | |
| SB1235-0A | 外押腳 | 1 | ZSA15049 | 螺絲 | 2 | |
| SB1281-0A | 押腳擋板 | 1 | ZSB09017 | 螺絲 | 1 | |
| SB1282-0A | 押腳引導板 | 1 | ZSB11125 | 螺絲 | 1 | |
| SB1283-0A | 前後叉臂 | 1 | ZSB11127 | 螺絲 | 1 | |
| SB1284-0A | 擋塊 | 1 | ZSG14008 | 螺絲 | 1 | |
| SB1285-0A | 連桿 | 1 | ZSG14008 | 螺絲 | 1 | |
| SB1286-0A | 連桿 | 1 | ZSG14009 | 螺絲 | 1 | |
| SB1287-0A | 連桿 | 1 | ZSG15080 | 螺絲 | 1 | |
| SB1288-0A | 銷 | 1 | ZSH15002 | 螺絲 | 1 | |
| SB1289-0A | 搖動曲柄(小) | 1 | ZSH15003 | 螺絲 | 1 | |
| SB1290-0A | 上部舉升搖組 | 1 | ZSH15007 | 螺絲 | 1 | |
| SB1290-1A | 上送料軸 | 1 | ZSK18016 | 螺絲 | 1 | |
| SB1290-2A | 上部舉升搖 | 1 | ZSK18016 | 螺絲 | 1 | |
| SB1291-0A | 上部舉升搖 | 1 | ZSK18016 | 螺絲 | 1 | |
| SB1292-0A | 送料連桿 | 1 | ZSK18016 | 螺絲 | 1 | |
| SB1293-0A | 中軸後套管 | 1 | ZSK18034 | 螺絲 | 1 | |
| SB1294-0A | 螺絲帽 | 1 | ZSL15001 | 螺帽 | 2 | |
| SB1294-0A | 螺絲帽 | 1 | ZSL18001 | 螺帽 | 1 | |
| SB1295-0A | 偏心輪 | 1 | ZSL18001 | 螺帽 | 1 | |
| SB1296-0A | 搖動曲柄(大) | 1 | ZSL18001 | 螺帽 | 1 | |
| SB1297-0A | 送料連接桿 | 1 | ZSL18001 | 螺帽 | 1 | |
| SB1298-0A | 前後連桿 | 1 | ZSL18001 | 螺帽 | 1 | |
| WH206011 | 墊圈 | 1 | ZSL18001 | 螺帽 | 1 | |

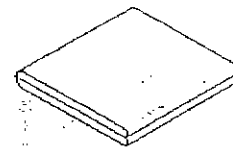
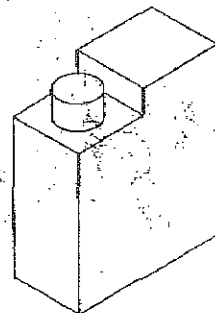
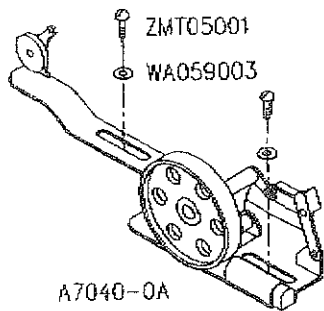
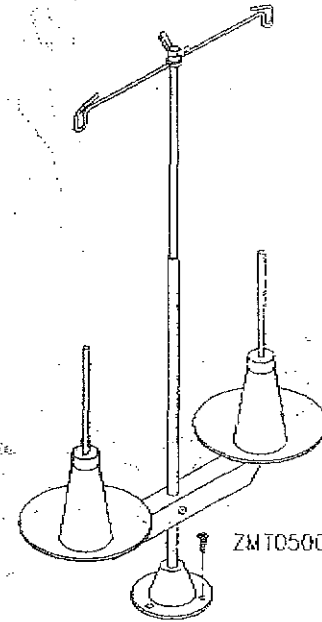
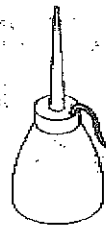
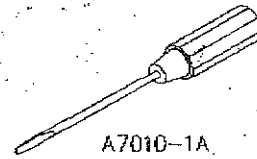
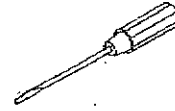
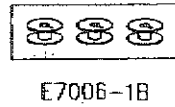
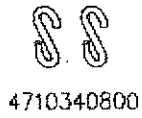
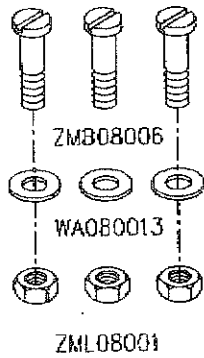
I. 347R-1A-1WS 零件 EXCLUSIVE PARTS



I 347R-1A-1WS 用件 EXCLUSIVE PARTS

| 零件號碼 Part No | 零件名稱 Name of Part | 件數 Q, TY | 零件號碼 Part No | 零件名稱 Name of Part | 件數 Q, TY | 備註 Remark |
|-----------------|---|-------------|-----------------|------------------------------------|-------------|--------------|
| BB6901ZZ | 軸承 ----- BEARING ----- | 1 | ZSA11004 | 螺絲 ----- SCREW (SM11/64-40x3.5) - | 1 | |
| BB6901ZZ | 軸承 ----- BEARING ----- | 1 | ZSA15025 | 螺絲 ----- SCREW (SM15/64-28x4.5) - | 2 | |
| LM3515-0A | 送料軸組 ---- FEED SHAFT ----- | 1 | ZSB11017 | 螺絲 ----- SCREW (SM11/64-40x15) -- | 4 | |
| LM4001-0A | 送料蓋板 ---- FEED LIFTING ROCK COVER ----- | 1 | ZSB11019 | 螺絲 ----- SCREW (SM11/64-40x13) -- | 3 | |
| LM4030-0A | 搖動軸 ----- DRIVING SHAFT ----- | 1 | ZSB11019 | 螺絲 ----- SCREW (SM11/64-40x13) -- | 3 | |
| LM4031-0A | 搖動軸座 ---- DRIVING SHAFT BASE ----- | 1 | ZSG18024 | 螺絲 ----- SCREW (SM9/32-28x11.5) - | 1 | |
| LM4031-0A | 搖動軸座 ---- DRIVING SHAFT BASE ----- | 1 | ZSG18024 | 螺絲 ----- SCREW (SM9/32-28x11.5) - | 1 | |
| LM4032-0A | 送料連桿 ---- FEED LIFTING ROCK SHAFT ----- | 1 | ZSG18024 | 螺絲 ----- SCREW (SM9/32-28x11.5) - | 1 | |
| LM4033-0A | 送料腕 ----- FEED LIFTING ROCK LINK ----- | 1 | ZSG81024 | 螺絲 ----- SCREW (SM9/32-28x11.5) - | 1 | |
| LM4033-0A | 送料腕 ----- FEED LIFTING ROCK LINK ----- | 1 | ZSH16005 | 螺絲 ----- SCREW (SM1/4-40x4.5) ---- | 1 | |
| LM4035-0A | 送料連桿 ---- FEED LIFTING ROCK SHAFT ----- | 1 | ZSK24001 | 螺絲 ----- SCREW (SM3/8-28x35) ----- | 2 | |
| LM4040-0A | 送料軸 ----- FEED SHAFT ----- | 1 | ZSK24001 | 螺絲 ----- SCREW (SM3/8-28x35) ----- | 2 | |
| LM4043-0A | 送料軸座 ---- FEED BAR SHAFT ----- | 1 | ZSL18001 | 螺帽 ----- NUT (SM9/32-28) ----- | 1 | |
| LM4046-0A | 送料曲柄 ---- FEED ROCK SHAFT CRANK ----- | 1 | ZSL18001 | 螺帽 ----- NUT (SM9/32-28) ----- | 1 | |
| TC12010210 | 定環 ----- ZIGZAG COLLAR ----- | 2 | ZSL18001 | 螺帽 ----- NUT (SM9/32-28) ----- | 1 | |
| ZMB05018 | 螺絲 ----- SCREW (M5x0.8-50) ----- | 1 | ZSL18001 | 螺帽 ----- NUT (SM9/32-28) ----- | 1 | |
| ZNJ06004 | 螺絲 ----- SCREW (M6x1.0-20) ----- | 1 | ZSL24003 | 螺帽 ----- NUT (SM3/8-28) ----- | 2 | |
| ZNJ06004 | 螺絲 ----- SCREW (M6x1.0-20) ----- | 1 | ZSL24003 | 螺帽 ----- NUT (SM3/8-28) ----- | 2 | |
| ZSA11004 | 螺絲 ----- SCREW (SM11/64-40x3.5) ----- | 1 | | | | |

J. 347R-1A-1WS附件 ACCESSORIES



J 347R-1A-1WS件 ACCESSORIES

| 零件號碼 Part No | 零件名稱 Name of Part | 件數 Q.TY | 零件號碼 Part No | 零件名稱 Name of Part | 件數 Q.TY | 備註 Remark |
|-----------------|-------------------------------------|------------|-----------------|----------------------------------|------------|--------------|
| 4710340800 | S字金具 --- S-PLUG ----- | 1 | DPx17#18 | 針 ----- NEEDLE ----- | 1 | |
| 4710341400 | 鎖 ----- CHAIN ----- | 1 | E7006-1B | 梭仔 ---- BOBBIN ----- | 3 | |
| A7000-0A | 工具袋 ---- ACCESSORY BAG ----- | 1 | J7050-0A | 線架組 -- THREAD STAND ----- | 1 | |
| A7010-0A | 螺絲起子(小) SCREW DRIVER (SMALL) ----- | 1 | WA059003 | 平墊圈 -- WASHER ----- | 2 | |
| A7010-1A | 螺絲起子(中) SCREW DRIVER (MIDDLE) ----- | 1 | WA080013 | 平墊圈 -- WASHER ----- | 4 | |
| A7012-1A | 油壺(中) -- OILER (MIDDLE) ----- | 1 | ZMB08006 | 螺絲 ---- SCREW (M8x1.25-27) ----- | 3 | |
| A7012-2A | 油壺(大) -- OILER (MIDDLE) ----- | 1 | ZML08001 | 螺帽 ---- NUT (M8x1.25) ----- | 1 | |
| A7040-0A | 捲線器組 -- BOBBIN WINDER ASSY. ----- | 1 | ZMT05001 | 木螺釘 -- SCREW (M4.5x4.5-16) ----- | 4 | |
| C7001-0A | 脚踏板 ---- PEDAL ASSEMBLY ----- | 1 | ZMT05001 | 木螺釘 -- SCREW (M4.5x4.5-16) ----- | 4 | |

K、347R-1A-1WS 零件號碼與頁數對照 NUMERICAL PARTS-LIST

| 零件號碼 PARTS NO. | 頁數 PAGE | 零件號碼 PARTS NO. | 頁數 PAGE | 零件號碼 PARTS NO. | 頁數 PAGE | 零件號碼 PARTS NO. | 頁數 PAGE | 零件號碼 PARTS NO. | 頁數 PAGE |
|-------------------|------------|-------------------|------------|-------------------|------------|-------------------|------------|-------------------|------------|
| 3400118800 | 3 | EK4038-1A | 17 | LM4031-0A | 19 | SB1010-0A | 3 | SB1106-0A | 7 |
| 4710340800 | 21 | J7050-0A | 21 | LM4032-0A | 19 | SB1012-0A | 3 | SB1116-0A | 11 |
| 4710341400 | 21 | LM1066-0A | 9 | LM4033-0A | 19 | SB1013-0A | 3 | SB1118-0A | 11 |
| 5100164100 | 11 | LM1100-0A | 7 | LM4035-0A | 19 | SB1014-0A | 3 | SB1122-0A | 11, 17 |
| A1021-0A | 3 | LM1103-0A | 7 | LM4040-0A | 19 | SB1020-0A | 3 | SB1150-0A | 11 |
| A1025-0A | 3 | LM1104-0A | 7 | LM4043-0A | 19 | SB1026-0A | 3 | SB1155-0A | 11 |
| A1034-0A | 3 | LM1105-0A | 7 | LM4046-0A | 19 | SB1027-0A | 3 | SB1156-0A | 11 |
| A1051-0A | 3 | LM1160-0A | 11 | LM4050-0A | 13 | SB1028-0A | 3 | SB1158-0A | 11 |
| A1117-0A | 11 | LM1180-0A | 15 | LM4051-0A | 13 | SB1029-0A | 3 | SB1161-0A | 11 |
| A7000-0A | 21 | LM1182-0A | 15 | LM4052-0A | 13 | SB1050-0A | 3 | SB1162-0A | 11 |
| A7010-0A | 21 | LM1183-0A | 15 | LM4053-0A | 13 | SB1061-0A | 9 | SB1166-0A | 11 |
| A7010-1A | 21 | LM1184-0A | 15 | LM4054-0A | 13 | SB1062-0A | 3 | SB1170-0B | 11 |
| A7012-1A | 21 | LM1184-1A | 15 | LM4056-0A | 13 | SB1063-0A | 9 | SB1171-0B | 11 |
| A7012-2A | 21 | LM1188-0A | 11 | LM4083-0A | 3 | SB1064-0A | 9 | SB1174-0A | 11 |
| A7040-0A | 21 | LM1189-0A | 11 | LM4084-0A | 3 | SB1065-0A | 9 | SB1175-0A | 9 |
| BB6200ZZ | 13 | LM1193-0A | 11 | LM4130-0A | 7 | SB1067-0A | 9 | SB1176-0A | 9 |
| BB6901ZZ | 19 | LM1320-0A | 7 | LM6010-0A | 7 | SB1070-0A | 9 | SB1177-0A | 11 |
| BC-457 | 7 | LM1322-0A | 7 | LM6011-0A | 7 | SB1074-0A | 9 | SB1182-0A | 15 |
| BNTA2030Z | 7 | LM1360-0A | 3 | LM6012-0A | 7 | SB1076-0A | 9 | SB1185-0A | 15 |
| BO-107 | 7 | LM3000-0A | 3 | LM6013-0A | 7 | SB1077-0A | 9 | SB1186-0A | 15 |
| C1174-0A | 11 | LM3001-0A | 3 | LM6014-0A | 7 | SB1078-0A | 9 | SB1187-0B | 15 |
| C7001-0A | 21 | LM3002-0A | 13 | LM6030-0A | 3 | SB1081-0A | 9 | SB1190-0A | 11 |
| DPx17#18 | 9, 21 | LM3003-0A | 13 | LM6050-0A | 3 | SB1090-0A | 9 | SB1192-0A | 11 |
| E1052-0A | 3 | LM3515-0A | 19 | LM6051-0A | 13 | SB1091-0A | 9 | SB1200-0A | 15 |
| E1172-2A | 11 | LM4001-0A | 19 | LM6052-0A | 3 | SB1092-0A | 9 | SB1203-0A | 15 |
| E1174-2A | 11 | LM4010-0A | 7 | PA1052-0A | 3 | SB1095-0A | 9 | SB1235-0A | 17 |
| E7006-1B | 21 | LM4030-0A | 19 | RE000040 | 17 | SB1101-0A | 7 | SB1237-0A | 15 |
| EK4037-1A | 17 | LM4031-0A | 19 | S1055-0A | 3 | SB1104-0A | 7 | SB1279-0A | 3 |

K-347R-1A-1WS 零件號碼與頁數對照 NUMERICAL PARTS-LIST

| 零件號碼 PARTS NO. | 頁數 PAGE | 零件號碼 PARTS NO. | 頁數 PAGE | 零件號碼 PARTS NO. | 頁數 PAGE | 零件號碼 PARTS NO. | 頁數 PAGE | 零件號碼 PARTS NO. | 頁數 PAGE |
|-------------------|------------|-------------------|------------|-------------------|------------|-------------------|------------|-------------------|------------|
| SB1281-0A | 17 | SB1450-0A | 9 | YB030018 | 17 | ZSA16010 | 7 | ZSB16038 | 11 |
| SB1282-0A | 17 | SB1451-0A | 9 | YD060050 | 3 | ZSA16013 | 7 | ZSB18014 | 7 |
| SB1283-0A | 17 | SB1452-0A | 9 | ZMB05018 | 19 | ZSA16022 | 9 | ZSB20012 | 7 |
| SB1284-0A | 17 | SB1453-0A | 7 | ZMB05026 | 3 | ZSA18001 | 7 | ZSC09031 | 9, 11 |
| SB1285-0A | 17 | SB1454-0A | 9 | ZMB08006 | 21 | ZSB08001 | 13 | ZSC09034 | 11 |
| SB1286-0A | 17 | SB1455-0A | 9 | ZNJ06004 | 19 | ZSB08027 | 9 | ZSC11001 | 5, 13 |
| SB1287-0A | 17 | SB1456-0A | 9 | ZMJ06008 | 3 | ZSB09002 | 3, 15 | ZSC11019 | 9 |
| SB1288-0A | 17 | SB1457-0A | 9 | ZML08001 | 21 | ZSB09005 | 3, 13 | ZSC11020 | 5 |
| SB1289-0A | 17 | SB1458-0A | 9 | ZMT05001 | 21 | ZSB09011 | 9, 11 | ZSD24005 | 5 |
| SB1290-0A | 17 | SB1459-0A | 9 | ZSA11002 | 9 | ZSB09017 | 17 | ZSD32002 | 5 |
| SB1290-1A | 17 | TC08012000 | 7 | ZSA11004 | 7, 9, 19 | ZSB09021 | 9 | ZSD32003 | 5 |
| SB1290-2A | 17 | TC10060220 | 13 | ZSA11005 | 3 | ZSB09041 | 3 | ZSF12002 | 9 |
| SB1291-0A | 17 | TC12010210 | 19 | ZSA11007 | 13 | ZSB09047 | 3 | ZSF15004 | 15 |
| SB1292-0A | 17 | WA030003 | 9 | ZSA11008 | 13 | ZSB09079 | 5, 9 | ZSF32001 | 15 |
| SB1293-0A | 17 | WA050001 | 3 | ZSA11013 | 13 | ZSB09080 | 5 | ZSG11107 | 15 |
| SB1294-0A | 17 | WA050010 | 9 | ZSA11020 | 13 | ZSB09093 | 11 | ZSG12075 | 15 |
| SB1295-0A | 17 | WA059003 | 21 | ZSA11023 | 7 | ZSB11017 | 5, 19 | ZSG14008 | 15, 17 |
| SB1296-0A | 17 | WA080013 | 21 | ZSA15005 | 7, 9 | ZSB11019 | 19 | ZSG14009 | 17 |
| SB1297-0A | 17 | WC089001 | 11 | ZSA15006 | 3 | ZSB11020 | 9 | ZSG15043 | 11 |
| SB1298-0A | 17 | WC119001 | 9 | ZSA15016 | 9 | ZSB11125 | 17 | ZSG15076 | 15 |
| SB1310-0A | 9 | WH206011 | 17 | ZSA15017 | 7, 11 | ZSB11127 | 17 | ZSG15080 | 17 |
| SB1311-0A | 9 | WH208007 | 17 | ZSA15018 | 7 | ZSB12003 | 11 | ZSG18024 | 11, 19 |
| SB1312-0A | 9 | XA300300 | 3 | ZSA15021 | 9, 13 | ZSB12005 | 5 | ZSG20016 | 11 |
| SB1313-0A | 9 | XB132001 | 3 | ZSA15025 | 9, 19 | ZSB12017 | 11 | ZSG81024 | 19 |
| SB1314-0A | 9 | XB333001 | 3 | ZSA15028 | 7, 9 | ZSB12057 | 9 | ZSH06010 | 7 |
| SB1320-0A | 3 | XB360001 | 3 | ZSA15048 | 11 | ZSB12058 | 9 | ZSH15001 | 15 |
| SB1321-0A | 3 | YA060270 | 3 | ZSA15049 | 13, 17 | ZSB12060 | 5 | ZSH15002 | 11, 17 |
| SB1322-0A | 3 | YB030016 | 3 | ZSA16009 | 7 | ZSB12061 | 5 | ZSH15003 | 17 |

K、347R-1A-IWS 零件號碼與頁數對照 NUMERICAL PARTS-LIST

| 零件號碼 PARTS NO. | 頁數 PAGE | 零件號碼 PARTS NO. | 頁數 PAGE | 零件號碼 PARTS NO. | 頁數 PAGE | 零件號碼 PARTS NO. | 頁數 PAGE | 零件號碼 PARTS NO. | 頁數 PAGE |
|-------------------|---------------|-------------------|------------|-------------------|------------|-------------------|------------|-------------------|------------|
| ZSH15007 | 11, 17 | | | | | | | | |
| ZSH16005 | 7, 19 | | | | | | | | |
| ZSK09001 | 9 | | | | | | | | |
| ZSK18016 | 11, 17 | | | | | | | | |
| ZSK18032 | 9 | | | | | | | | |
| ZSK18034 | 17 | | | | | | | | |
| ZSK24001 | 19 | | | | | | | | |
| ZSL09002 | 5 | | | | | | | | |
| ZSL12001 | 11 | | | | | | | | |
| ZSL12009 | 9 | | | | | | | | |
| ZSL15001 | 17 | | | | | | | | |
| ZSL18001 | 9, 11, 17, 19 | | | | | | | | |
| ZSL24003 | 19 | | | | | | | | |
| ZSN16006 | 5 | | | | | | | | |
| ZSQ09008 | 5 | | | | | | | | |

Consolidated Sewing Machine Corp.
Website: www.consew.com

MAIN office

131 W. 25th Street
New York, NY 10001
Tel: 212-741-7788
Fax: 212-741-7787
e-mail: consew@att.net

Miami, FL

4013 N.W. 79th Avenue
Miami, FL 33166
Tel: 305-471-0200
Fax: 305-471-0243
e-mail: miamisales@consew.com

Los Angeles, CA

2320 South Hill Street
Los Angeles, CA 90007
Tel: 213-745-8844
Fax: 213-745-8855
e-mail: lasales@consew.com